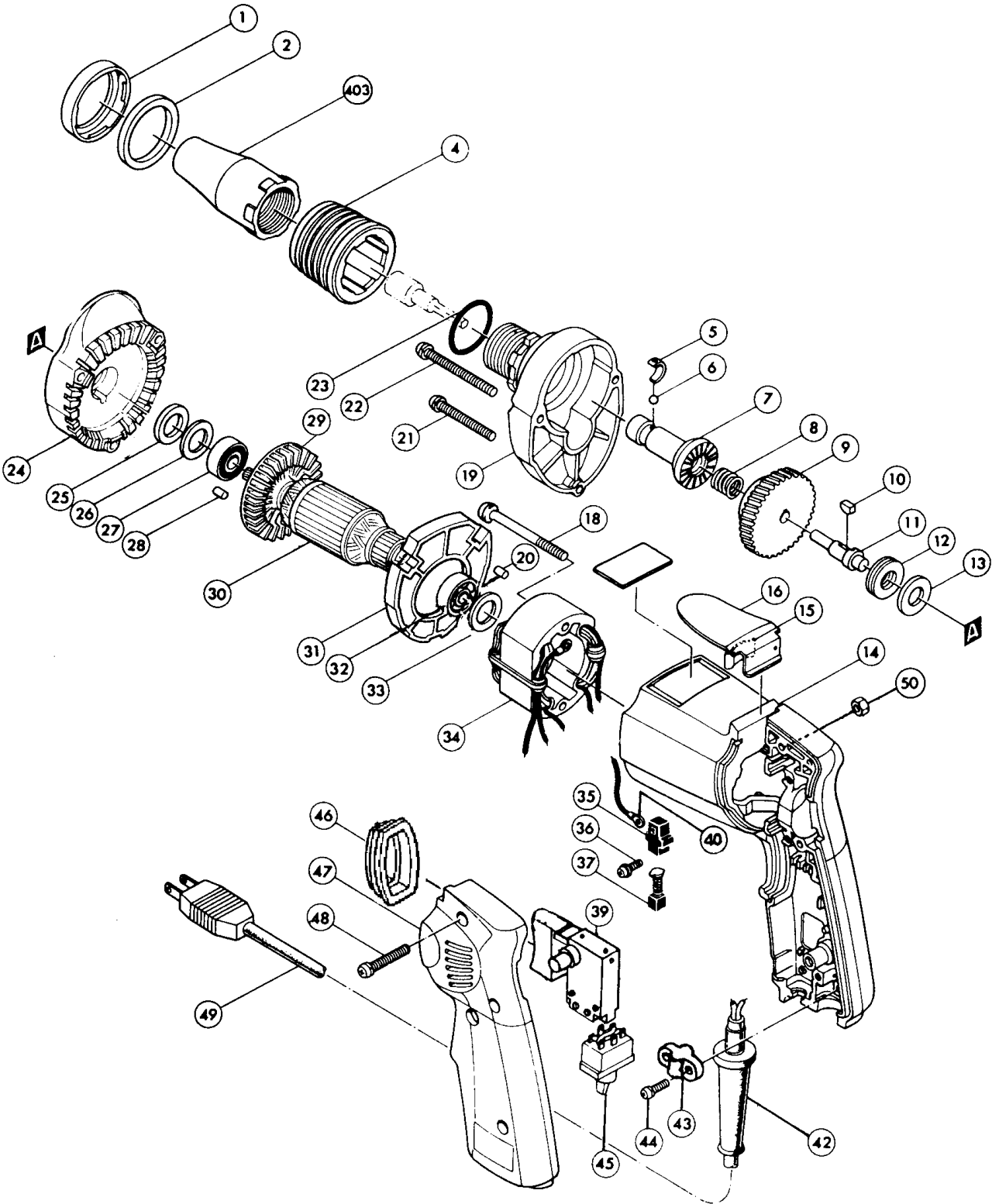
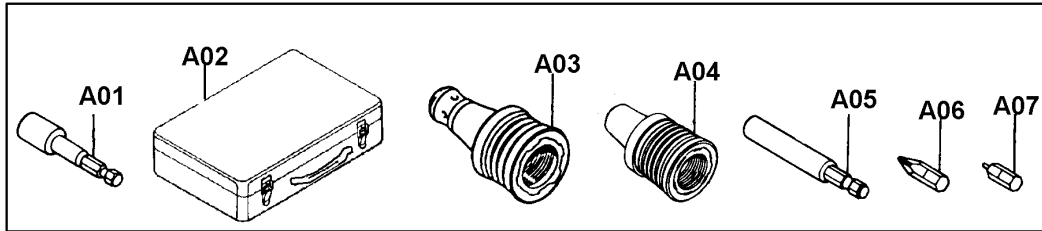




SCREWDRIVER

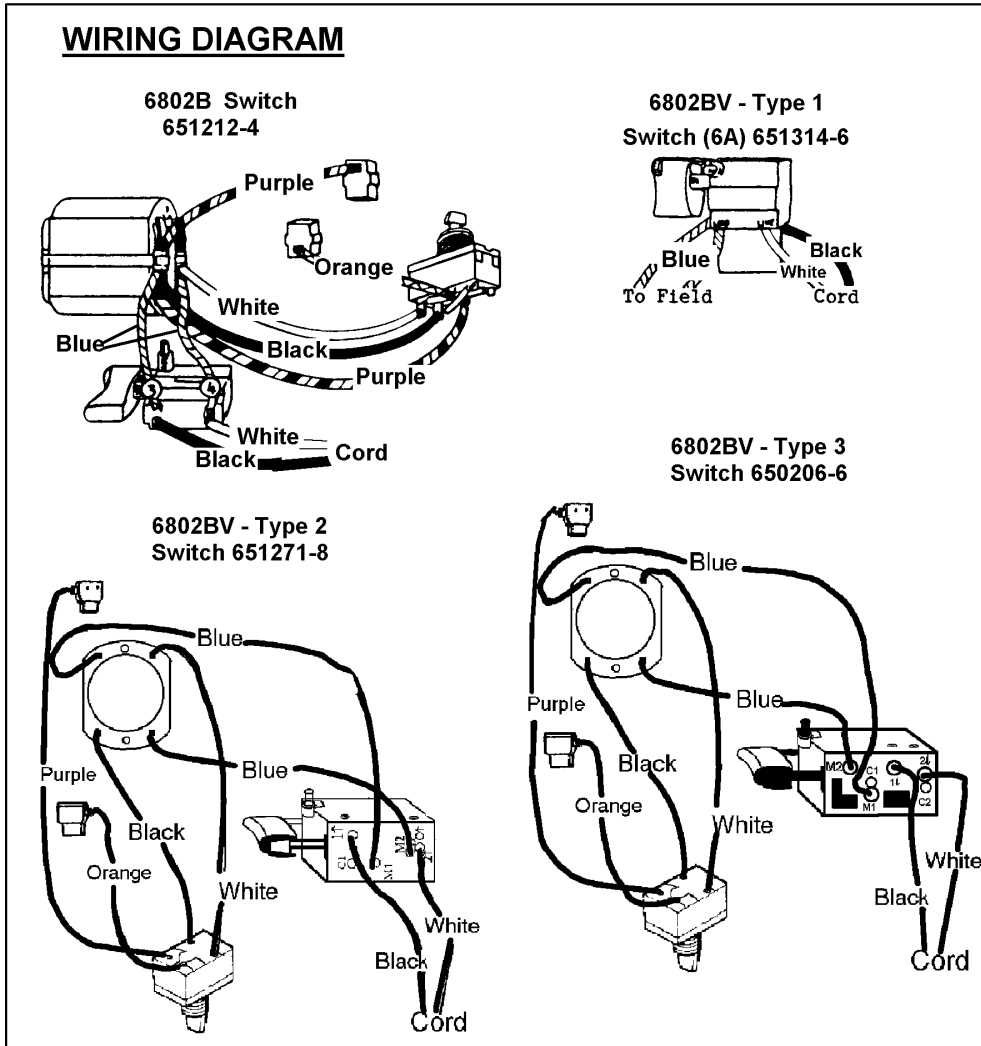
Model 6802B
(Discontinued in 1982)
Model 6802BV (MJ)
(Variable Speed)





Item No.	Part No.	No. Used	Description	Item No.	Part No.	No. Used	Description
1	411297-0	1	Felt Cover	37	191956-9	2	Carbon Brush CB-75
2	443028-9	1	Felt Ring 30		181503-4	2	Auto Cut-Off Carbon Brush CB-63 (Optional)
4	411293-8	1	Locking Sleeve				
5	232050-9	1	Leaf Spring				
6	216001-0	1	Steel Ball 3.5	39	651212-4	1	Switch (6802B)(With Lock)
7	*	1	Spindle		*	1	Switch (6A) (6802BV) (With Lock)
8	231139-0	1	Compression Spring 9				
9	*	1	Gear	40	654038-3	2	Insulated Eye Terminal FV1.25-M4
10	254031-3	1	Woodruff Key 3	42	682502-4	1	Cord Guard
11	325485-2	1	Gear Shaft	43	687002-9	1	Strain Relief
12	212057-1	1	Thrust Needle Bearing 1023	44	911131-9	1	P.H. Screw M4x18 (With Washer)
13	261038-2	1	Washer 10	45	*	1	Reversing Switch
14	156879-8	1	Motor Housing (Includes Items 20 & 50)	46	421144-7	1	Dust Cover (6802B)
15	232034-7	1	Leaf Spring (Type 1)		*	1	Dust Cover (6802BV)
16	343693-3	1	Hook (Type 2)				
18	911185-6	2	P.H. Screw M4x55 (Old 925183-4)	47	155283-8	1	Handle Cover
19	156467-1	1	Gear Housing	48	911153-9	3	P.H. Screw M4x28 (With Washer)
20	263002-9	1	Rubber Pin 4	49	664013-1	1	Cord With Plug 2P-18-2.5
21	911261-6	1	P.H. Screw M5x40 (With Washer)	50	931102-0	3	Hex Nut M4
22	911271-3	2	P.H. Screw M5x50 (With Washer)	100	652030-3	4	(-) Set Screw M3x7.5
23	213404-9	1	O Ring 27				
24	*	1	Gear Housing Cover	Accessories			
25	261039-0	1	Washer 14	A01	-----	1	Magnetic Socket Bit (See Catalogue for Details)
26	253786-7	1	Flat Washer 14	A02	181949-4	1	Metal Carrying Case
27	211033-2	1	Ball Bearing 608LB	A03	122211-8	1	Nose Piece Assy (For Phillips Head Screw)(Includes Items 1, 2 & 4)
28	263002-9	1	Rubber Pin 4	A04	-----	1	Nose Piece Assy (For Hex Head Screws)(Includes Items 1, 2 & 4) (See Catalogue for Details)
29	*	1	Fan 54	A05	784801-1	1	Magnetic Bit Holder (For Insert Bit)
30	*	1	Armature Assy (Includes Items 27, 29 & 32)	A06	-----	1	Phillips Insert Bit (See Catalogue for Details)
31	*	1	Baffle Plate	A07	-----	1	Robertson Insert Bit (See Catalogue for Details)
32	211028-5	1	Ball Bearing 627LB				
33	253192-6	1	Flat Washer 14				
34	625096-6	1	Field Assy [With Item 40(1pc.)]				
35	643552-4	2	Brush Holder				
36	911124-6	2	P.H. Screw M4x14 (With Washer)				

* SEE SERVICE CHANGES



SERVICE CHANGES

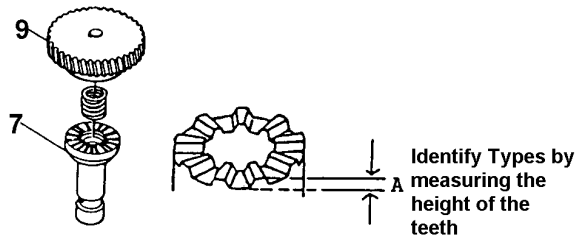
1. Change On Switches .

Item No.	Description	Type 1	Type 2	Type 3
39	Switch V.S.	651314-6 or 651220-5 (Speed Controlled by Dial)	651271-8 (Speed Controlled by Trigger)	650206-6 (Speed Controlled by Trigger)
45	Reversing Switch	651461-3 (No Longer Available)	651478-6	
46	Dust Cover/Switch Cover	421145-5	411852-8	
	Serial No.	~ 251907E	251908E ~	N/A

Above parts are completely interchangeable as a set.

Type 3 Switch (650206-6) has not been implemented in the production of 6802BV but is available for repairs.

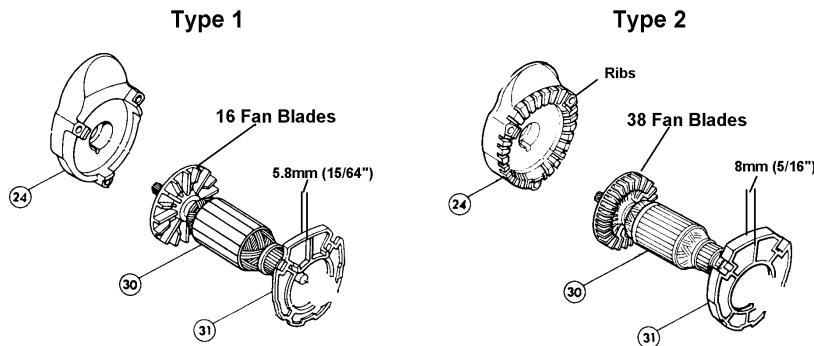
2. Change on Spindle and Gear.



Item No.	Description	Type 1	Type 2
7	Spindle	152140-1 (A=1/16") (1.588mm) (No Longer Available)	152159-0 (A=3/32") (2.381mm)
9	Gear	153116-1 (A=1/16") (1.588mm) (No Longer Available)	153133-1 (A=3/32") (2.381mm)
	Serial #	~ 7286E	7287E ~

Above parts are completely interchangeable as a set.

3. Change on Armature Assy, Gear Housing Cover and Baffle Plate.



Item No.	Description	Type 1	Type 2
24	Gear Housing Cover	156468-9	157842-4
29	Fan 54	241811-6	241881-5 (Old 241842-5)
30	Armature Assy	615106-7	515156-1
31	Baffle Plate	411528-7	413045-3
	Serial # (Model 6802BV only)	~ 185507E	185508E ~

Above parts are completely interchangeable as a set or the combination of usage as follows:

Model 6802BV originally has Type 1 parts only.

Type 2 Fan is no longer available as a simple substance.

The usage of the following combinations are available:

Armature Assy	Type 1	Type 1	Type 1	Type 2
Gear Housing Cover	Type 1	Type 2	Type 2	Type 1
Baffle Plate	Type 2	Type 1	Type 2	Type 2

The usage of these combinations are not available:

Armature Assy	Type 2	Type 2
Gear Housing Cover	Type 1	Type 2
Baffle Plate	Type 1	Type 1

4 Model 6802B

4 Model 6802BV